

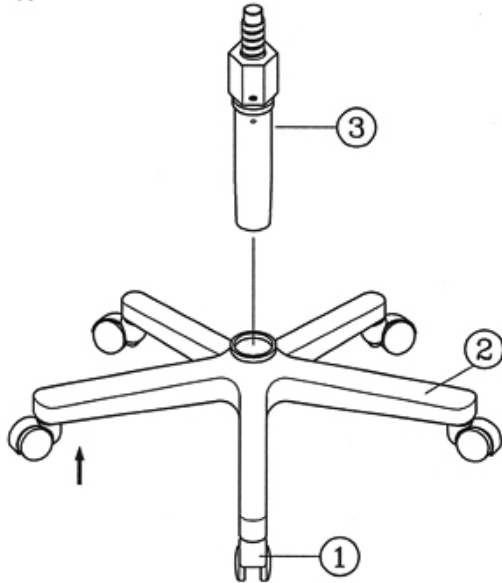


Assembly Instructions for No. CH445 Chair

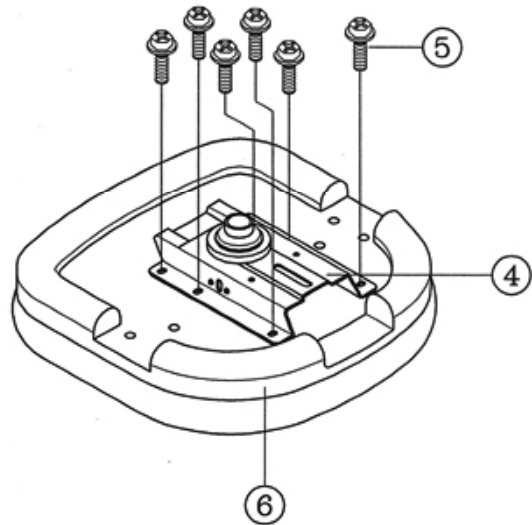
PART LIST

KEY QTY	DESCRIPTION	KEY QTY	DESCRIPTION	KEY QTY	DESCRIPTION
1	5 Casters	6	1 Seat	11	1 Backrest Depth Adj. Knob + Washers
2	1 Base	7	1 Backrest	12	1 Backrest Height Adj. Knob + Washer
3	1 Gas Cylinder	8	1 Backrest Connector+Cover		
4	1 Seat Plate	9	1 Backrest Support Cover		
5	6 Seat Plate Screws	10	1 Angle Adj Knob		

STEP 1.



STEP 2.



STEP 3.

